



Communication breakdown >>

Fuses

An electrical consumer has stopped functioning

The reason may lie in a faulty fuse.

The individual circuits are protected by means of safety fuses.

>Important!

Never repair blown fuses or short-circuit them!

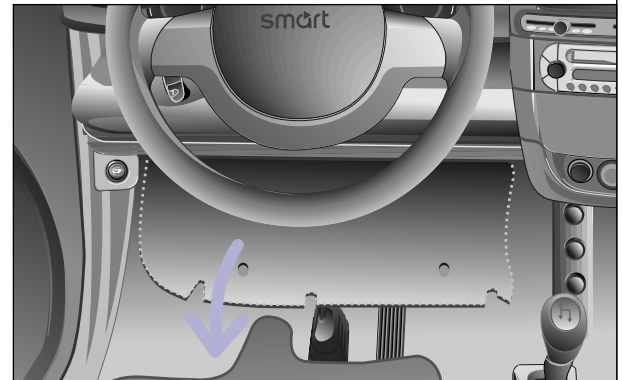
Any changes to the electrical circuit may result in a

- fire breaking out or
- parts of the electrical system being destroyed.

The fuse box is located on the left-hand side below the cockpit.

- Pull back the fuse box covering in a downward direction.

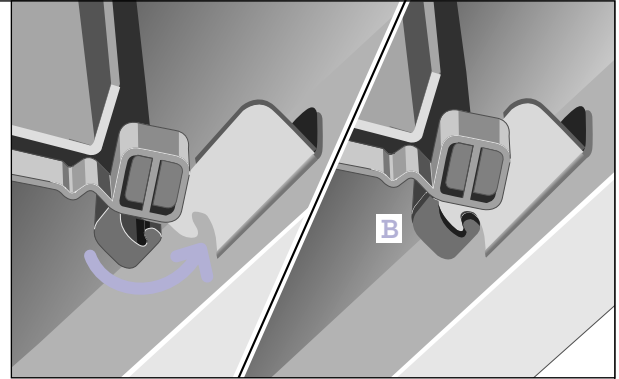
→ The fuse box is visible from below.



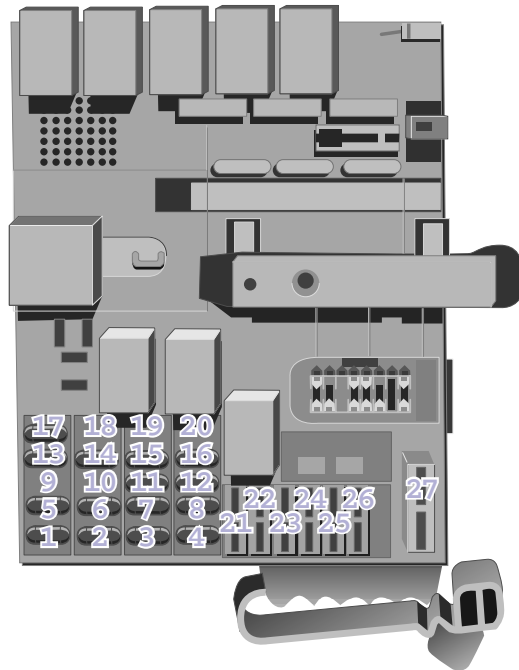
Fuses

How to change a fuse

- Shut down all electrical consumers and switch the ignition off before changing a fuse.
 - Take the safety box out of its holder and lower it downwards.
 - Use the fuse panel (see Page 8-7) to ascertain which fuse is required for the fused consumer.
 - Remove the fuse selected from its holder.
 - Replace the failed fuse, recognizable on account of its broken wire, with a new one of identical amperage (see fuse panel)
- If a new fuse blows again within a short period of time you should visit your local smart Center.
- Mount the fuse box back in place.
- Make sure that the lever is properly inserted into the hook (B).



Fuses



Fuses

No.	Consumer		Color	No.	Consumer		Color
1	Parking and tail lights, r. Terminal 58 f. instrument panel illumination, license plate light	7.5A	brown	11	Radio, CD-changer, instru- ment cluster, tachometer, back-up light, seat sensor, diagnosis socket	15A	blue
2	Parking and tail lights, l.	7.5A	brown	12	12-Volt power socket	15A	blue
3	Front fog lights	15A	blue	13	Interior illumination, rear diagnosis socket	15A	blue
4	Fog tail lights	7.5A	brown	14	Radio, CD-changer	15A	blue
5	Low beam lights, l. with headlight range adjuster	7.5A	brown	15	Instrument cluster, Remote control receiver, central locking, anti-theft alarm, remote tailgate un- locking switch	7,5A	brown
6	Low beam lights, r. with headlight range adjuster	7.5A	brown	16	Remote locking actuator motors, Safety unit, Clock, Horn, Lower interior light (switch), Remote tailgate unlocking	15A	blue
7	High beam lights, l., high-beam tell-tale	7.5A	brown	17	Rear-window wiper	15A	blue
8	High beam lights, r.	7.5A	brown				
9	Ignition coil, starter B01 Starter, D01	25 A 15 A	nature blue				
10	Indicator lamp, Brake lights	15 A	blue				

Fuses

No.	Consumer		Color
18	MCO soft top	25 A	nature
19	MCO soft top	25 A	nature
20	Engine control unit (petrol only)	7,5 A	brown
21	Rear-window heater, engine fan	30A	green
22	Wiring system	40A	orange
23	Heater blower	20A	yellow
24	Window regulator, l. & r.	30A	green
25	Windscreen wiper, washer pump	20A	yellow
26	ABS, control units: Airbag engine control units, central control unit	7,5A	brown
27	ABS control unit	50A	red

Bulbs

Things you need to know:

Before changing bulbs in your smart car you should make sure of the following points:

- switch the lights and the ignition off in order to prevent any short circuits occurring.
- handle the new bulbs with a clean cloth, free of any grease, etc.
- do not hold the bulbs by the glass.
- do not replace / remove bulbs with wet or greasy fingers.
- use identical bulbs with the same watt rating.

>Note!

You should have your headlight beam setting checked regularly, or at least once a year.



Danger of burns!

Bulbs can get very hot.

Before changing the faulty bulb you should let it cool down first.

Bulbs

How to renew the bulbs

Opening the service screen will enable you to replace the headlamp bulbs.

- Switch off the ignition.
- Turn the lock with the car keys towards the center of the car.
- Remove the service screen.
- You can then remove the velocity stack from the passenger's side.

>Important!

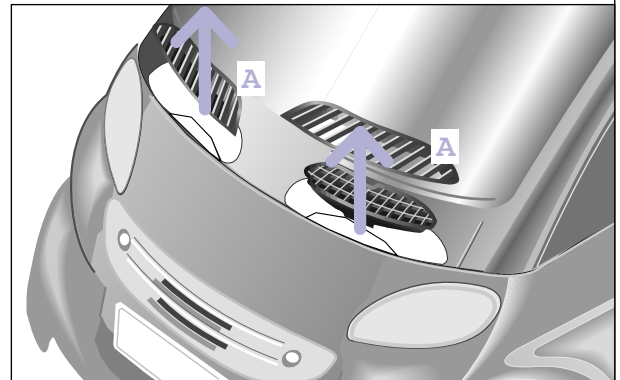
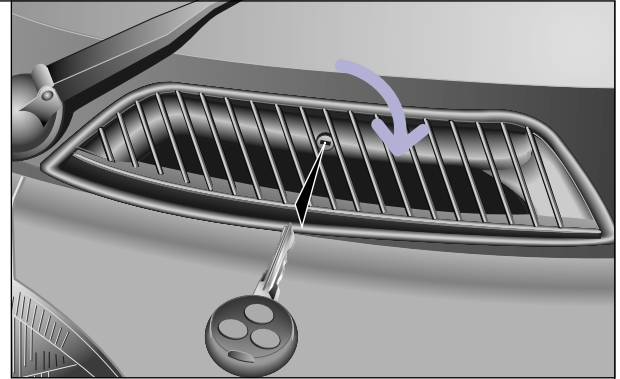
Do not use unnecessary force. You may damage the key otherwise.



Danger of injury!

Always switch the ignition off and remove the keys before opening the service screen.

If the windscreen wipers should inadvertently be switched on you could be seriously injured by the washer system drive, which is located just below the service screen.

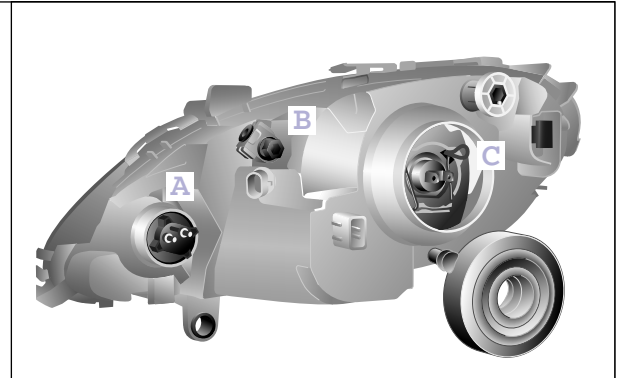


Bulbs

Front-headlamps

The front headlamps contain the following:

- turn signal light (A) 12V 21W
- parking light (B) 12V 5W
- low beam light/
high beam light (C) H4 12V 55/60W

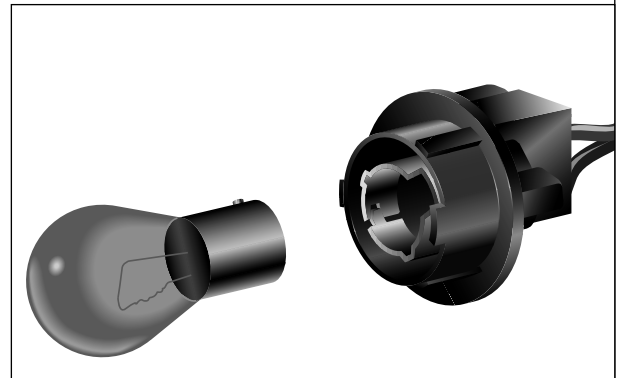


How to change a turn signal light (A)

- Turn the bulb holder anticlockwise through 90° and take it out of the headlight housing.
- Remove the bulb from the socket by turning it.

>Note!

To replace the bulb follow the steps above in reverse order (possible in one position only).



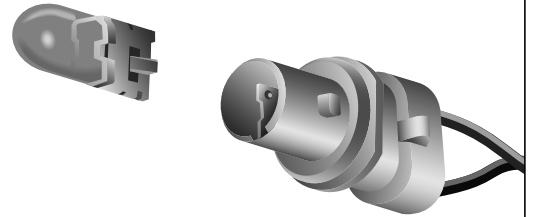
Bulbs

How to change a parking light bulb (B)

- Turn the bulb holder anticlockwise through 90° and take it out of the headlight housing.
- Remove the bulb from the socket by turning it.

>Note!

To replace the bulb follow the steps above in reverse order.



Bulbs

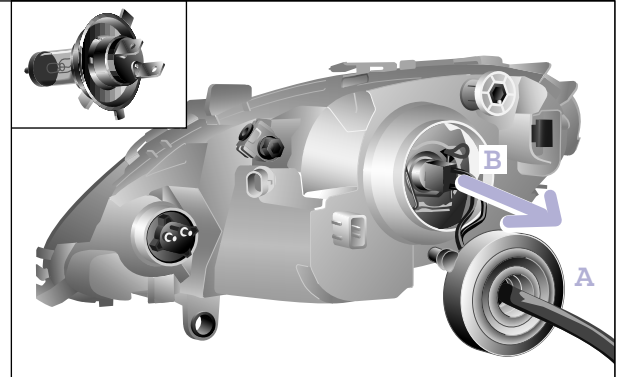
How to change a low/high beam bulb (C)

Removing

- Pull the rubber cap (A) off the headlight housing.
→The rubber cap now hangs down by the wiring.
- Remove the retaining springs (B).
- Pull the plug connector together with the bulb out of the housing.
- Remove the bulb from the socket.

Fitting

- Insert the bulb.
- Snap the retaining clip back into place.
- Connect the plug with the bulb.
- Fit the rubber grommet.



Bulbs

How to change the side turn signal lights

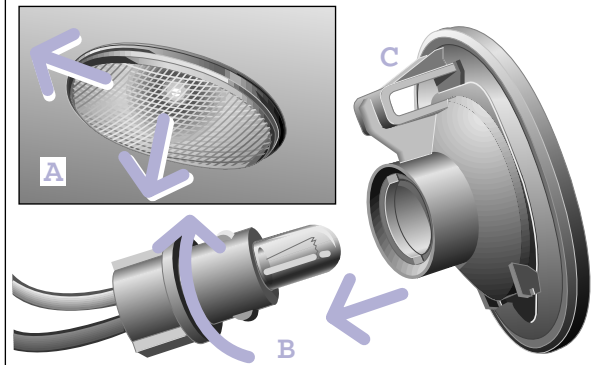
12V 5W

- Press the side turn signal lights in both cases towards the front of the car and slide them out of the fender (A).
- Turn the bulb holder anticlockwise by 90° and slide it out of the turn signal light (B).
- Remove the bulb from the housing.

>Note!

To replace the bulb follow the steps above in reverse order.

When replacing the side turn signal light into the fender make sure that the clip (C) is pointing towards the front of the car.



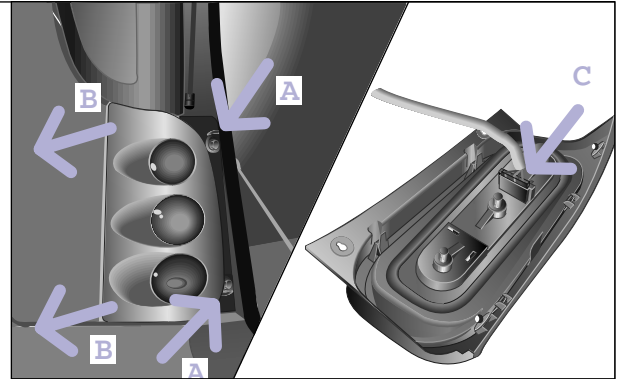
Bulbs

How to change the taillight

Each taillight consists of:

- flasher bulb 12V 21W
- taillight/brake light 12V 21/5W
- fog tail light (left) 12V 21W
- back-up light (right) 12V 21W

- Open the tailgate.
- Unscrew the two fastening screws (A).
- Press the taillight out of the apertures in the body (B).
- Pull the plug connector from the bulb socket (C).

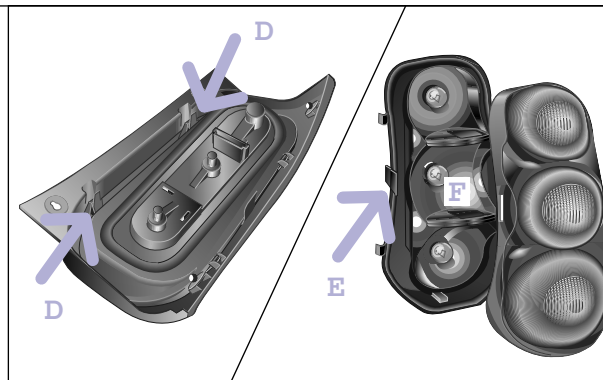


Bulbs

- Open the clips holding the taillight casing consisting of surround and light panel (D).
- Remove the light panel from the surround (E).
- Turn the bulb anticlockwise and take it out of the holder (F).

>Note!

To replace the bulb follow the steps above in reverse order.



Bulbs

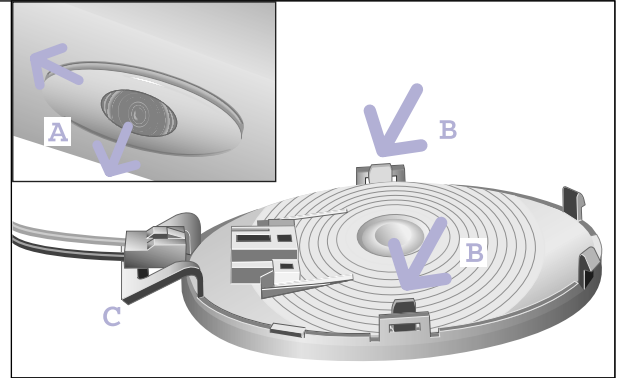
How to change the interior light at the rear

12V 7W

- Lever the rear light out of its holder with a coin (A).
→ Insert the coin from the passenger's side.
- Open the clips and remove the surround from the light panel (B).
- Remove the bulb from the socket.

>Note!

To replace the bulb follow the steps above in reverse order. When replacing the interior light make sure that the clip (C) is located to the left.



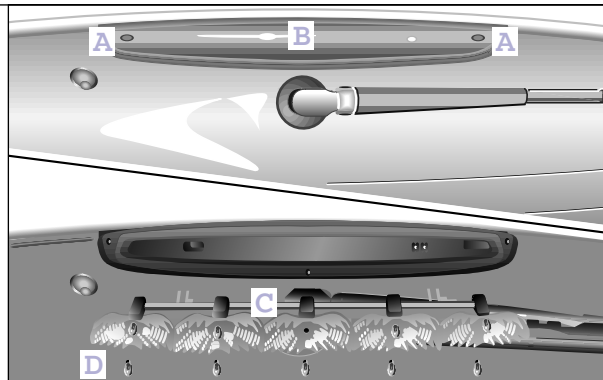
Bulbs

How to change the third brake light

- Loosen and remove the fastening screws (A).
- Remove the lens (B).
- Take the reflectors (C) out.
- Remove the faulty bulb (D) from its holder.

>Note!

To replace the bulb follow the steps above in reverse order .



Which bulbs should you have changed at your local smart Center

You should have the

- fog lights,
- center console's interior light

always replaced at your local smart Center.

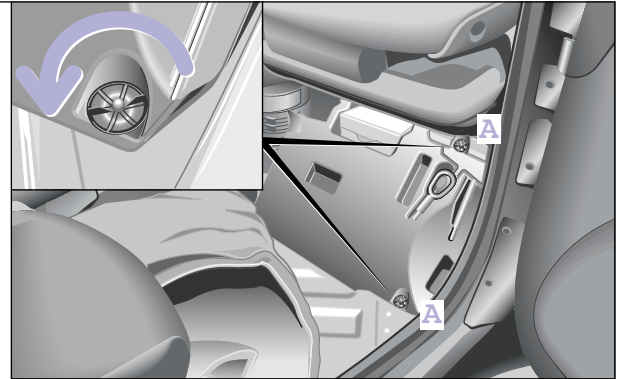
When you are there they will be only too glad to help you change any other bulbs.

Battery

The battery for you smart is maintenance free. However, it is a good idea to have the condition of your battery checked at your local smart Center before the onset of winter.

Where to find the battery

- Open the passenger-side door.
- Slid the passenger's seat to the rear.
- Fold the carpet up.
- Loosen the foot support's two fastening screws (A).
- Remove the foot support by taking it sideways out of the car.



Battery

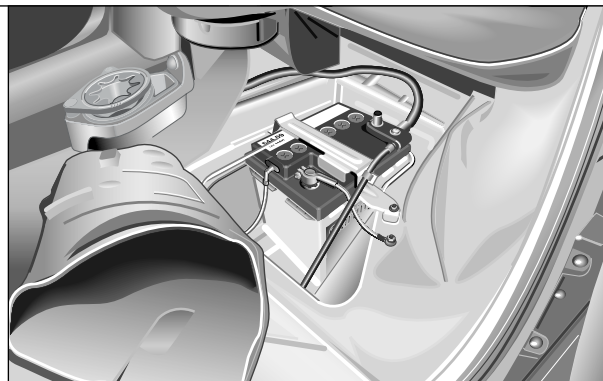
What to do if your battery is flat

Start your smart's engine with the aid of

- jumper cables and
- another vehicle's battery.

Things you need to know

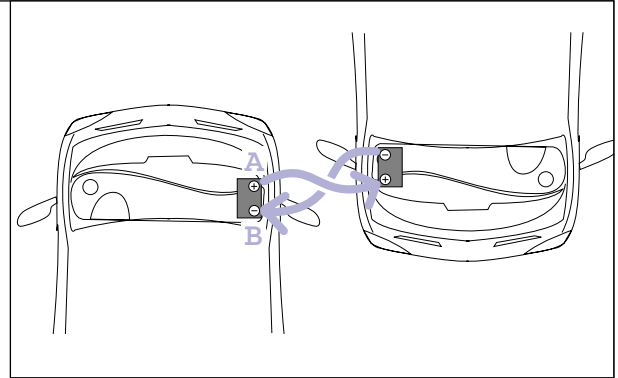
- Only use batteries with identical rated voltages (12V).
- Use jumper cables of a suitable cross section and insulated cable clamps available from your local smart Center.
- The vehicles must not touch each other.
- Switch all electrical consumers off.



Battery

Assist starting

- Switch off the engine of the vehicle assisting you to start your car.
- Remove the battery cover.
- First of all connect the positive terminal (A) with the red jumper cable.
- Start the other vehicle's engine and run it at idling speed.
- Connect the negative terminal of both batteries (B).
- Deactivate the electronic immobilizer (see Page 5-6).
- Start your smart's engine.
→ If the smart doesn't start properly you should call your local smart Center or smart-move Assistance.



Battery

How to remove the jumper cables

- Once the engine is running you can switch on electrical consumers such as the blower or the rear window heater. Do not switch the lights on!
→This helps reduce the danger of any sparking when removing the jumper cables.
- First of all remove the negative terminal of the jumper cable, then the positive one.
- Mount the foot rest.

Your smart's battery

The smart has a battery of the following type installed:

smart with gasoline engine

- 12V 36Ah at 33kW engine.
- 12V 44Ah at 40kW engine.

smart with diesel engine

- 12V 61Ah at 30kW engine.

Battery

How to install / remove the battery

>Important!

Do not mix up the cable terminals.

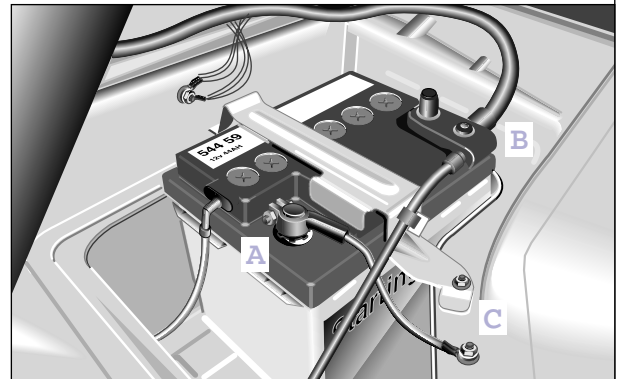
On no account should you allow the wrench to come into contact with the battery terminals or the positive terminal and the car body at the same time.

How to remove the battery

- Switch the engine off.
- Switch all electrical consumers off.
- Remove the foot support (as described under 8-19).
- First of all unscrew the negative terminal (A), then the positive terminal (B).
- Remove the battery fastening device (C).
- Remove the battery.

How to install the battery

- Where appropriate switch off all electrical consumers.
- Place the battery onto the tray.
- Tighten the battery fastening screws (C).
- First of all tighten the positive terminal (B), then the negative terminal (A).
- Mount the positive terminal cover.



Battery

>Important!

Take note of the following safety tips and protective measures when handling batteries.



Danger of explosion!

When handling batteries the following is forbidden

- fire,
- naked flame,
- sparking,
- smoking.

Do not cover the battery with any metal objects.



Danger of injury!

Do not lean over the battery when carrying out a jumper cable start.



Environment!

Dispose of faulty batteries in an environmentally compatible manner by handing them in to a local specialist or a dedicated collection point.

Battery



Always observe the safety tips and safety measures when handling batteries.



Danger of explosion!



Fire, naked flame and smoking are forbidden!
Prevent sparking!



Danger of acid poisoning!
Battery acid is corrosive. Do not allow it to come into contact with your skin, eyes or clothing!
Rinse any acid splashes thoroughly with clear water immediately!
If necessary consult a doctor!



Wear eye protection!



Keep children away!



Observe the operating instructions!

Danger of short circuit!
Do not place any metal objects onto the battery!

Breakdown kit

The smart breakdown kit* is either special equipment or available as an original smart accessory at your local smart Center.

- It is installed at your local smart Center.
- It is located at the passenger-side footwell below the carpet (A).

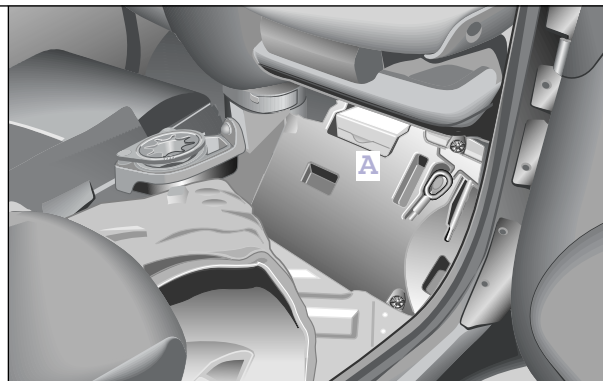
The breakdown kit comprises:

- Puncture-sealing gel bottle
- Filler tube
- Valve extractor
- Valve extractor with valve insert
- Electrically-operated pump with connector tube
- 80 km/h and 50 mph label
- Operating instructions

Things you should pay attention to

- Before using the breakdown kit you should read the operating instructions.
- The breakdown kit is rated for use in outside temperatures of -20°C to $+60^{\circ}\text{C}$.
- The tire-sealing gel should be renewed after the sell-by date has been exceeded.

* Standard for all smart vehicles in F, I, E



Changing a wheel

Change over to winter tires at an early date, preferably in the fall. Only tires that are recommended by mcc smart GmbH should be used. The jack is available as an original smart spare part at your local smart Center.

>Note!

Use only rims and tires specifically recommended for the smart and make sure that the correct sizes are mounted at the front and rear (see technical details in your smart operating instructions).

- Park the smart on a level surface.
- Pull on the handbrake.
- Press the brake pedal and move the Softip gearshift control to position 'R'.
- Switch off the engine.

How to take the wheel off

- Take the tool for removing the wheel cap out of the wheel wrench's handle.
- Lever the wheel cap off the rim.

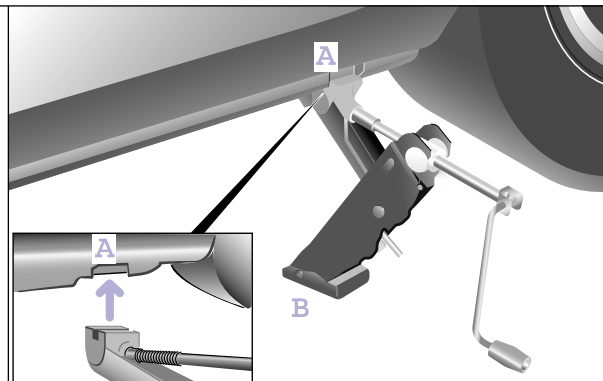


Danger of accident!

An incorrectly mounted tire will lead to malfunctions in the clutch control.

Changing a wheel

- Use the wheel wrench to slacken off the wheel bolts by turning them anticlockwise, but do not remove them yet.
 - Position the car jack at one of the designated jacking points (A).
- The jacking points can be easily identified at the impressions in the door-sill area.
- The bearing surface of the jack support (B) must be positioned vertically below the jacking point (A).
 - Lever the smart up using the jack until the wheel is free of the ground.
 - Now you can unscrew the wheel bolts and remove the wheel.



Danger of accident!

If the jack is not brought properly into position, it could slip out from under the car and the smart be tipped off the jack.



Danger of injury!

The jack is intended to lift the smart off the ground for short spells only. The bearing surface for the jack must be solid and level. If the ground is not sufficiently stable then a support must be placed underneath the jack. A jack stand must be used when conducting work underneath the smart.

Changing a wheel

How to put the wheel on



Danger of accident!

In order to prevent any damage where aluminum wheel rims are fitted do not use an impact-wrench socket.

- Fit the wheel in place and tighten the bolts handtight using the wheel wrench.
- Lower the smart again and remove the jack from under it.
- Tighten the wheel bolts firmly using the wheel wrench. (110 Nm)



Danger of accident!

Wheel bolts

- must not be damaged or show signs of rust.
- should not have oil or grease applied to them.

Use original smart wheel bolts only.

Otherwise the wheel bolts could work their way loose.

>Important!

After driving for five minutes stop and check that the wheel bolts are tight.

>Note!

If the new wheel exhibits any imbalance have it checked at your local smart Center and rectified.



Danger of accident!

The wheel bolt tightness is to be checked after a driving period of five minutes.

Rolling start

If the starter is faulty you can try to start the smart by letting it run down a steep hill.

Preparation

- Switch on the ignition.
- Apply the hand brake.
- Apply the foot brake.
- Move the gear selector lever to position + and hold it there.

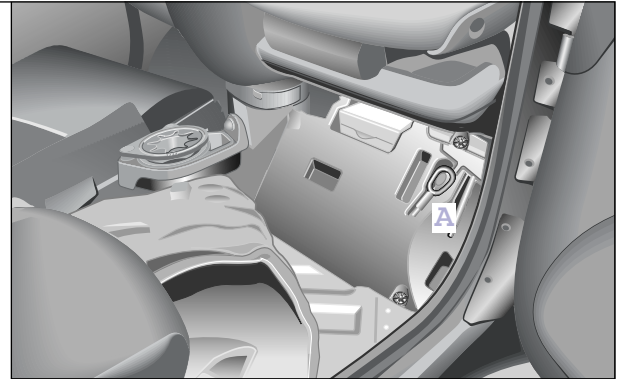
Rolling start

- Release the foot brake.
- Push the accelerator pedal to the floor.
- Release the handbrake.
 - As the speed of the car increases the clutch is automatically engaged and the engine starts.
- Release the selector lever.
- Press the accelerator to suit.

Towing

What to do if you need the towing lug

- Open the passenger-side door.
- The towing lug (A)
 - is located at the passenger-side footwell below the carpet (A).
 - should be kept in the smart at all times unless it is to be used.



Towing

Fixing points for the towing lug

Front fixing point

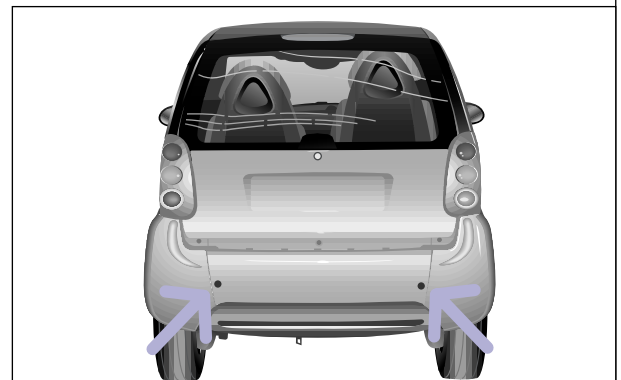
→Used for towing the smart.



Rear fixing point

→Used for towing another vehicle.

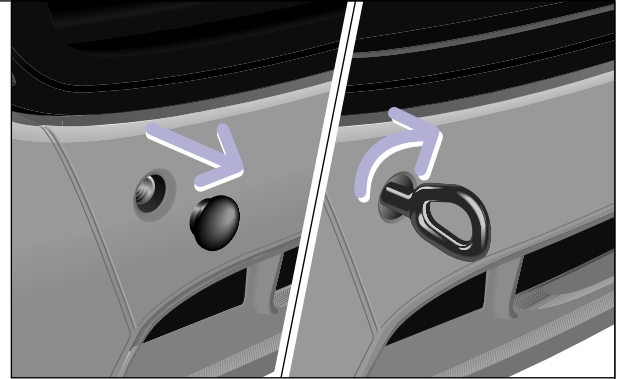
→Used for mounting a base carrier (original smart accessory).



Towing

Attaching the towing lug

- Take the towing lug out of the foot support in the passenger-side footwell.
- Remove the cover.
- Tighten the towing lug as far as possible.
- Attach the tow rope or even better the tow bar to the towing lug.



Danger of injury!

Use smart towing lugs only that are properly bolted in to the dedicated positions.

Other lugs or ones that are not properly fastened may work their way loose.

Towing

>Towing tips!

- Only people with a certain amount of experience should tow or be towed.
- The ignition must be switched on.
- If the smart is being towed, the gear selector lever must be set to position N.
- Preferably you should have your smart towed by a vehicle from your nearest smart Center.
- Observe local statutory regulations concerning the towing of vehicles.
- The maximum towing speed must not exceed 50 km/h.
- The maximum distance to be towed should not exceed 50 km.
- When towing a car it is better to use a tow bar. If a tow rope is to be used it should be an elastic polyamide rope or polyamide belt.
- The towing lugs on both vehicles involved in the towing process must be on the same side.
- The smart should only be towed or tow another vehicle by means of the towing lug.
- The vehicle to be towed must not be heavier than the vehicle doing the towing.
- Recovery of or lashing down of the smart by using the towing lug is not allowed for reasons of safety. Failure to observe this could result in the towing lug being ripped out of its mounting and people being injured!
- Towing the car when a base carrier* is mounted is not permissible.



Danger of accident!

If the engine can't be started then the servo-brake system won't operate.
The force required to be exerted when applying the brakes is distinctly greater .

*Original smart accessory

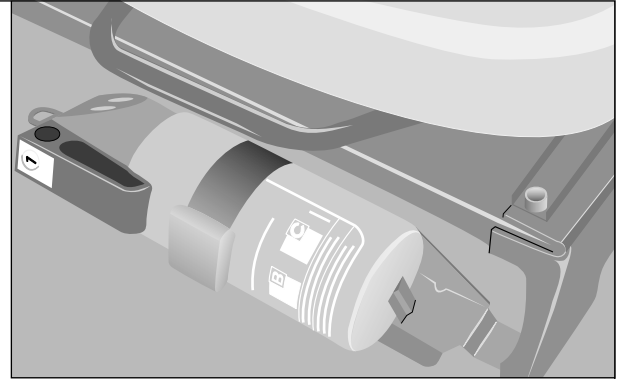
Fire extinguisher

The fire extinguisher is an original smart accessory* that you can purchase at your local smart Center.

- It is installed at your local smart Center.
- It is located below the driver's or passenger's seat.

Things you should pay attention to

- You should read the operating instructions before using the fire extinguisher to ensure that you can use it properly and safely at any given time.
- You should have your fire extinguisher checked regularly every 2 years.



Danger of injury!

Please study the tips on how to extinguish a fire.



Danger of injury!

The fire extinguisher should always be locked firmly in place. Loose objects could cause serious injury if propelled around the passenger compartment when full brakes are suddenly applied.

*Standard equipment in Belgium